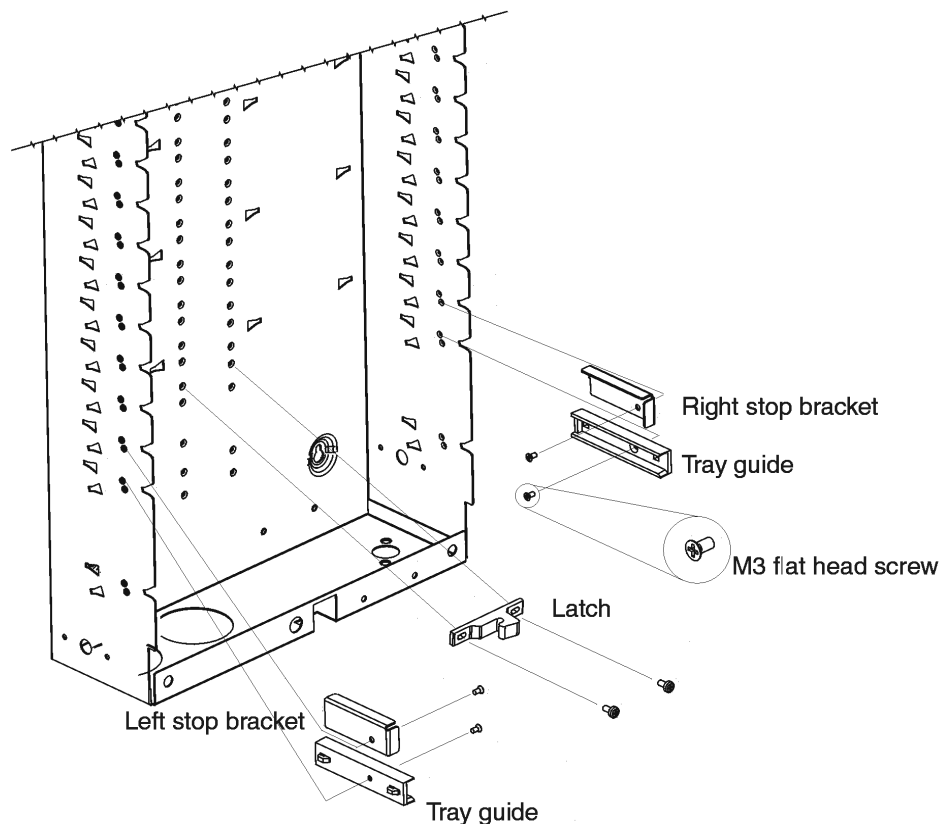


Multi-Unit Mounting Module Installation Instructions

The Multi-Unit Mounting Module enables you to install three devices while occupying the space of only two devices in the Network Connection Center.

Installing the latches and tray guides

- 1 Attach a latch and tray guides approximately 8 inches from the bottom of the enclosure. The arrow imprinted on the latch should face to the left. Use the screws supplied with the tray guides to secure the guides.
- 2 Attach the left stop bracket immediately above the left tray guide you just installed. Use the M3 flat head screws provided to secure the bracket.
- 3 Attach the right stop bracket immediately above the right tray guide you just installed. Use the M3 flat head screws provided to secure the bracket.



Home Director, the Home Director logo, "The Power Behind Intelligent Living", and Network Connection Center are trademarks of Home Director, Inc.

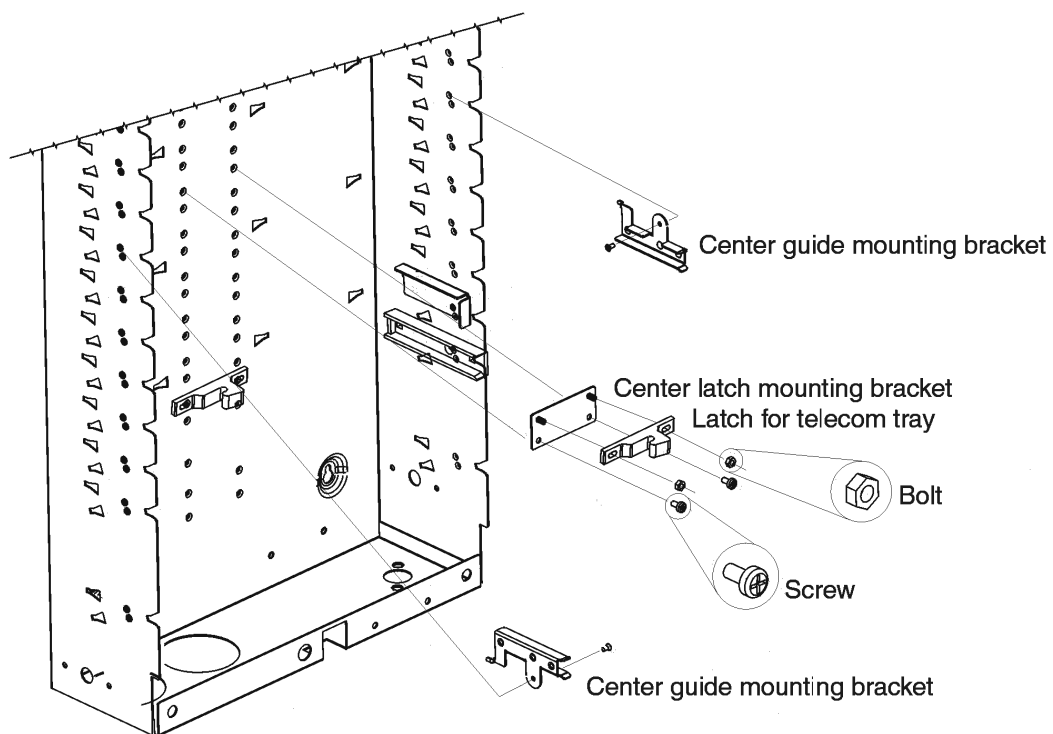
© 2000 Home Director, Inc. All rights reserved.

Home
Director[™]
The Power Behind Intelligent Living

Multi-Unit Mounting Module Installation Instructions

If you have a Telecom Unit Tray installed in the Network Connection Center, you must move that tray higher to accommodate the cables that will come from the devices you mount on the Multi-Unit Mounting Module. To move the Telecom Unit Tray:

- 1 Pull the tray out of the tray guides and disconnect the cables.
- 2 Remove the latch and tray guides that held the Telecom Unit Tray. (You will use the latch screws in Step 4.)
- 3 Attach the latch to the center latch mounting bracket with the nuts provided.
- 4 Position the mounted latch on the back of the enclosure, 16½ inches from the bottom with the arrow facing left, and secure it with the screws you removed in Step 2.
- 5 Position the center guide mounting brackets on the sides of the enclosure, between the 15 inch and 16½ inch slots, securing them with the screws provided. (The center guide mounting brackets are not specific to the left or right side; rotate the bracket to make it fit each side.)



- 6 Reconnect the cables to the Telecom Unit Tray.
- 7 Slide the Telecom Unit Tray into the adjusted tray guides until it clicks into place.

Installing devices on the Multi-Unit Mounting Module

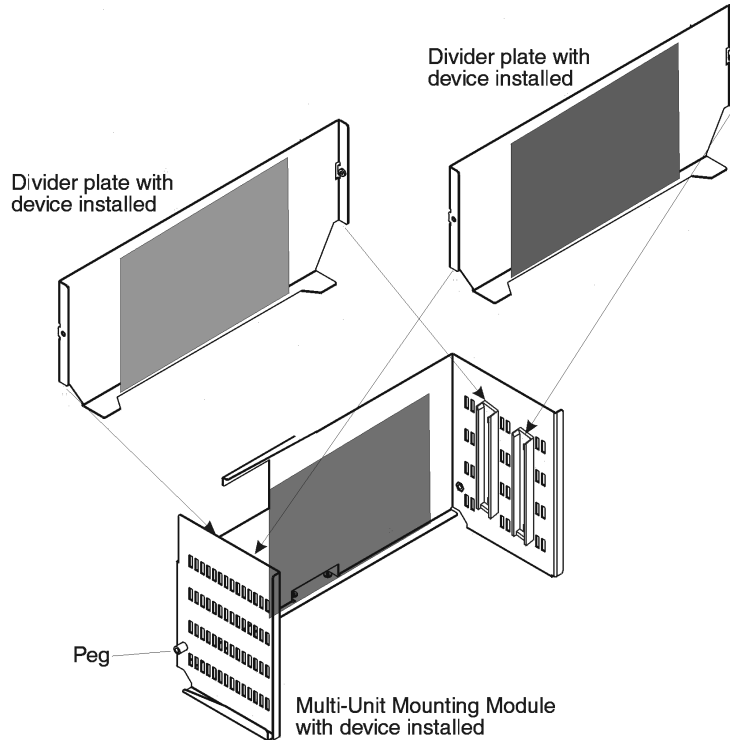
- 1 Remove the screws that secure the two divider plates in the Multi-Unit Mounting Module. (You will need these screws again in Step 6.)
- 2 Slide the divider plates out of the module.
- 3 Mount the first device (such as a Home Director 8-Port 10/100 Ethernet Switch) on the back plate of the Multi-Unit Mounting Module using screws (if appropriate) or Velcro strips. (If you are using Velcro strips, be sure the tray and the device surfaces are clean before adhering the strips.)

Note: Nine Velcro strips are included with the Multi-Unit Mounting Module. Be sure to use enough strips on each device you mount to securely hold it in place.

- 4 Mount the second device (for example, a Home Director Web Point 1000 or a UGate-3200) on a divider plate using screws (if appropriate) or Velcro strips.
- 5 Mount the third device (for example, a cable or DSL modem) on the remaining divider plate using screws (if appropriate) or Velcro strips.

Note: A cable or DSL modem should usually be mounted as the last device so you can see the lights on the modem when the module is installed in the Network Connection Center.

- Slide the divider plates into the tray guides on the Multi-Unit Mounting Module and secure them with the M3 pan head screws you removed in Step 1.



Installing the Multi-Unit Mounting Module

- Hold the module so the top is at a 30-degree angle toward the rear of the enclosure.
- There are two small pegs that protrude from the sides of the module (see the previous diagram). Rest the pegs on top of the plastic tray guides and slide the module back approximately 1 inch.
- Lift the module so the pegs are behind the stop brackets on each side of the enclosure.
- Angle the module back down until it lines up with the tray guides.
- Slide the module into the tray guides and let it lean forward. The stop brackets will keep it from falling out of the enclosure.
- Route the cables for the devices through the opening on the top of the module.
- Connect the cables as described in the documentation for each device you installed on the Multi-Unit Mounting Module.
- Slide the Multi-Unit Mounting Module into the enclosure until it clicks into place.